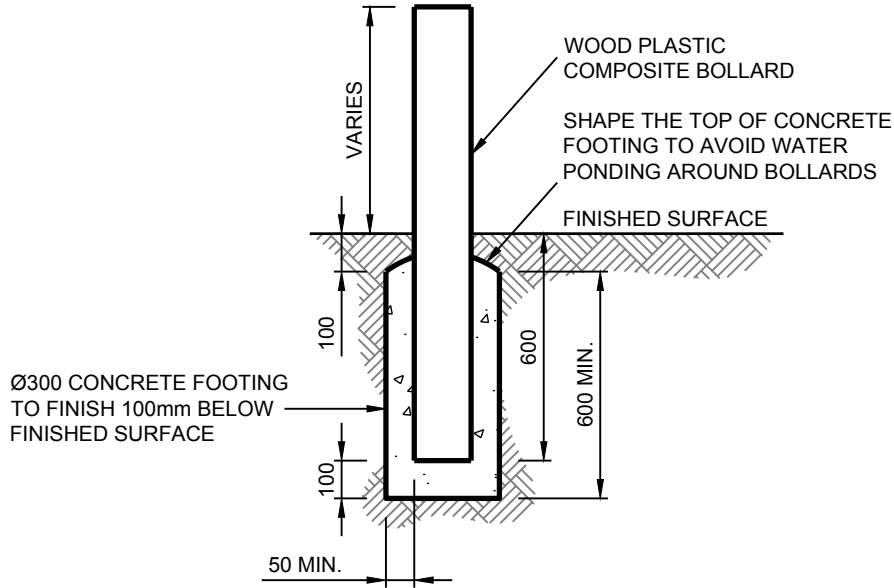


**BOLLARD INSTALLATION NOTES:**

1. REFER TO DESIGN DRAWINGS FOR BOLLARD LOCATION, SPACING, SIZE AND HEIGHT.
2. BOLLARDS TO BE IN ACCORDANCE WITH AS 3845 AND SUPPLIERS SPECIFICATIONS.
3. BOLLARDS TO BE INSTALLED IN ACCORDANCE WITH SUPPLIERS SPECIFICATIONS.
4. REQUIREMENT TO ATTACH REFLECTOR TO BE CONFIRMED WITH COUNCIL'S REPRESENTATIVE PRIOR TO CONSTRUCTION.
5. CONCRETE FOOTINGS TO BE 25MPa UNLESS NOTED OTHERWISE.



**BOLLARD INSTALLATION (SD-630)**

WOOD PLASTIC COMPOSITE  
NOT TO SCALE

1. All dimensions are in millimeters unless otherwise shown.
2. It is the responsibility of the individual to ensure that they are using the current version of this drawing. Council accepts no liability for issues arising from the use of superseded drawings. Printed copies of this drawing are uncontrolled.

REV	DESCRIPTION	APPROVED	DATE	APPROVED TEAM LEADER TECHNICAL SERVICES	<b>BOLLARD INSTALLATION</b> <b>WOOD PLASTIC COMPOSITE</b>	STANDARD # <b>SD-630</b>	REV <b>A</b>
				<i>Chris Haskas</i>			
A	ORIGINAL ISSUE	C.HASKAS	FEB '18	SCALE AT A4 <b>NOT TO SCALE</b>			