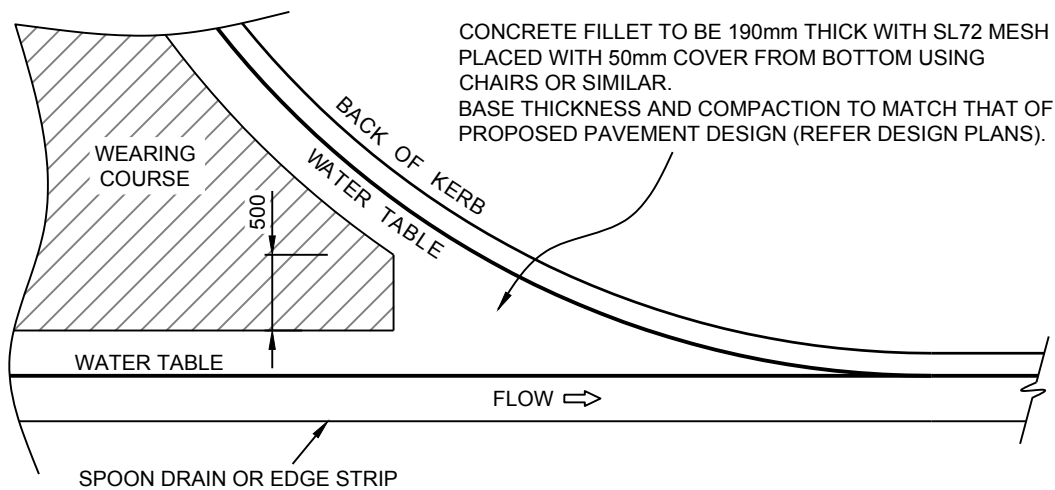


**CONCRETE FILLET INSTALLATION NOTES:**

1. INSTALLATION OF KERBING SHALL BE IN ACCORDANCE WITH AS 2876.
2. CONCRETE STRENGTH TO BE 32MPa UNLESS NOTED OTHERWISE.
3. CONCRETE FILLET TO BE PLACED AT SAME TIME AS ADJACENT CONCRETE ELEMENTS.



**CONCRETE FILLET AT KERB RADIUS' (SD-410)**  
 FOR USE WHERE SPOON DRAIN OR EDGE STRIP IS USED  
 NOT TO SCALE

1. All dimensions are in millimeters unless otherwise shown.
2. It is the responsibility of the individual to ensure that they are using the current version of this drawing. Council accepts no liability for issues arising from the use of superseded drawings. Printed copies of this drawing are uncontrolled.

REV	DESCRIPTION	APPROVED	DATE	APPROVED TEAM LEADER TECHNICAL SERVICES	<b>CONCRETE FILLET AT KERB RADIUS'</b> FOR USE WHERE SPOON DRAIN OR EDGE STRIP IS USED	STANDARD # <b>SD-410</b>	REV <b>C</b>
				<i>Chris Haskas</i>			
C	REVISED FILLET DIMENSION	C.HASKAS	FEB '18				
B	REVISED NOTES	C.HASKAS	AUG '12				
A	ORIGINAL ISSUE	P.BICKLEY	JUN '10				
				SCALE AT A4 <b>NOT TO SCALE</b>	<b>CITY OF ONKAPARINGA</b>		