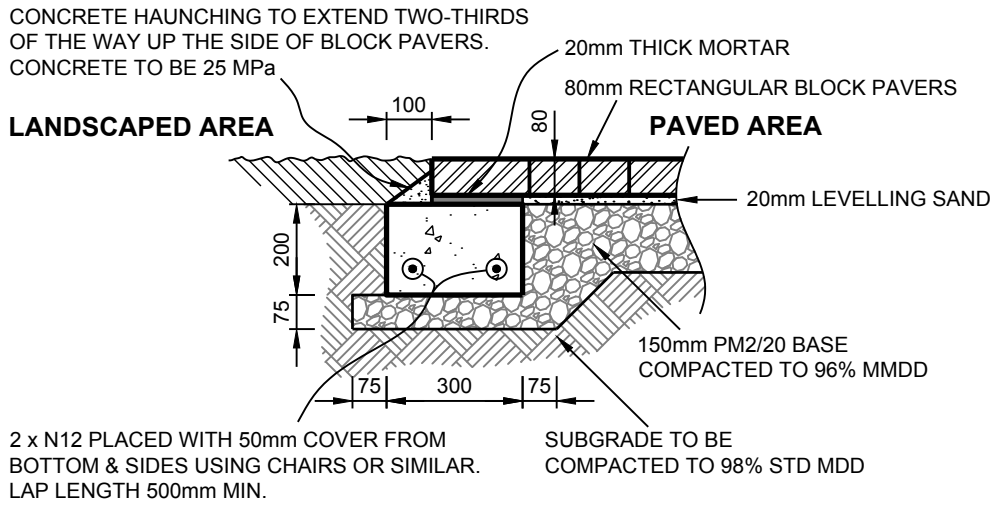


**EDGE FOOTING INSTALLATION NOTES:**

1. PAVERS ARE TO BE RECTANGULAR UNLESS NOTED OTHERWISE; COUNCIL'S REPRESENTATIVE IS TO ADVISE ON REQUIRED COLOUR(S).
2. PAVERS TO BE PLACED IN A 90° HERRINGBONE PATTERN WITH HEADER COURSE. STRETCHER BOND MAY BE USED ALONG TIGHT CURVES OR RADIUS' IF REQUIRED. 'PAVELOCK' OR SIMILAR APPROVED SWEEPING SAND TO BE USED.
3. CONCRETE STRENGTH TO BE 25MPa UNLESS NOTED OTHERWISE.



**EDGE FOOTING INSTALLATION (SD-332)**

INTERFACE BETWEEN PAVING & LANDSCAPED AREAS - SUBJECT TO VEHICULAR LOADING  
NOT TO SCALE

1. All dimensions are in millimeters unless otherwise shown.
2. It is the responsibility of the individual to ensure that they are using the current version of this drawing. Council accepts no liability for issues arising from the use of superseded drawings. Printed copies of this drawing are uncontrolled.

REV	DESCRIPTION	APPROVED	DATE	APPROVED TEAM LEADER TECHNICAL SERVICES	EDGE FOOTING INSTALLATION INTERFACE BETWEEN PAVING & LANDSCAPED AREAS SUBJECT TO VEHICULAR LOADING	CITY OF ONKAPARINGA	STANDARD # SD-332	REV D
D	REVISED DETAIL & NOTES	C.HASKAS	FEB '18	<i>Chris Haskas</i>				
C	REVISED DETAIL & NOTES	C.HASKAS	AUG '12					
B	REVISED TITLE & BASE NOTE	P.BICKLEY	MAY '11					
A	ORIGINAL ISSUE	P.BICKLEY	JUN '10	SCALE AT A4 NOT TO SCALE				