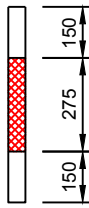
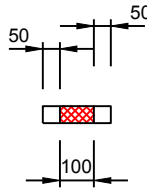


FOOTPATH HOLDING RAIL INSTALLATION NOTES:

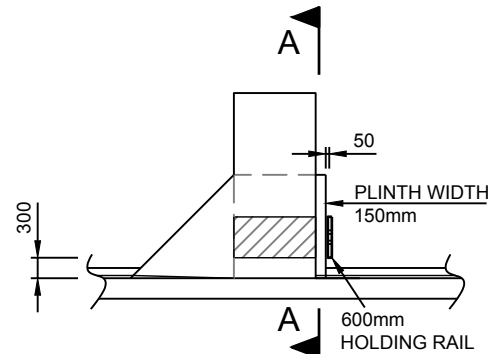
1. THIS DRAWING SHALL BE READ IN CONJUNCTION WITH ASSOCIATED DPTI STANDARD DRAWINGS.
2. FOR KERB RAMP CONSTRUCTION DETAILS, REFER TO AS 1428 AND COUNCIL STANDARDS SD-320 & SD-321.
3. FOR HOLDING RAIL INSTALLATION IN PEDESTRIAN REFUGES & SHARED PATHS REFER SD-326 & SD-327.
4. PROVIDE TACTILE GROUND SURFACE INDICATORS (TGSI'S) AS SPECIFIED IN AS 1428.4. TGSI'S TO BE INTEGRATED IN THE RAMP TO AID IN THE ORIENTATION OF PEOPLE WITH VISION IMPAIRMENT.
5. HOLDING RAILS TO BE CONSTRUCTED OF (NOMINAL) Ø50mm OUTSIDE DIAMETER GALVANISED STEEL PIPE WITH 3.6mm WALL THICKNESS.
6. HOLDING RAILS SHALL BE POWDER COATED IN WHITE FOR AN ESTIMATED 10 YEAR SERVICE LIFE.
7. RED AND WHITE RETROREFLECTIVE TAPE SHALL BE USED ON BOTH OF THE VERTICAL AND THE HORIZONTAL MEMBERS OF ALL HOLDING RAILS. ALL REFLECTIVE TAPE SHALL BE CLASS 1 IN ACCORDANCE WITH AS 1743.
8. THE RED RETROREFLECTIVE TAPE SHALL BE CENTRALLY LOCATED WITH THE WHITE RETROREFLECTIVE TAPE PLACED ADJACENT TO THE LENGTHS SPECIFIED.
9. WHEN THE ADJACENT PATH IS CONSTRUCTED AT THE SAME TIME AS THE KERB RAMP AND LANDING, THE LANDING MAY BE CONSTRUCTED FROM THE SAME MATERIALS AS THE ADJACENT PATH.
10. CONCRETE FOOTINGS TO BE 25MPa UNLESS NOTED OTHERWISE.



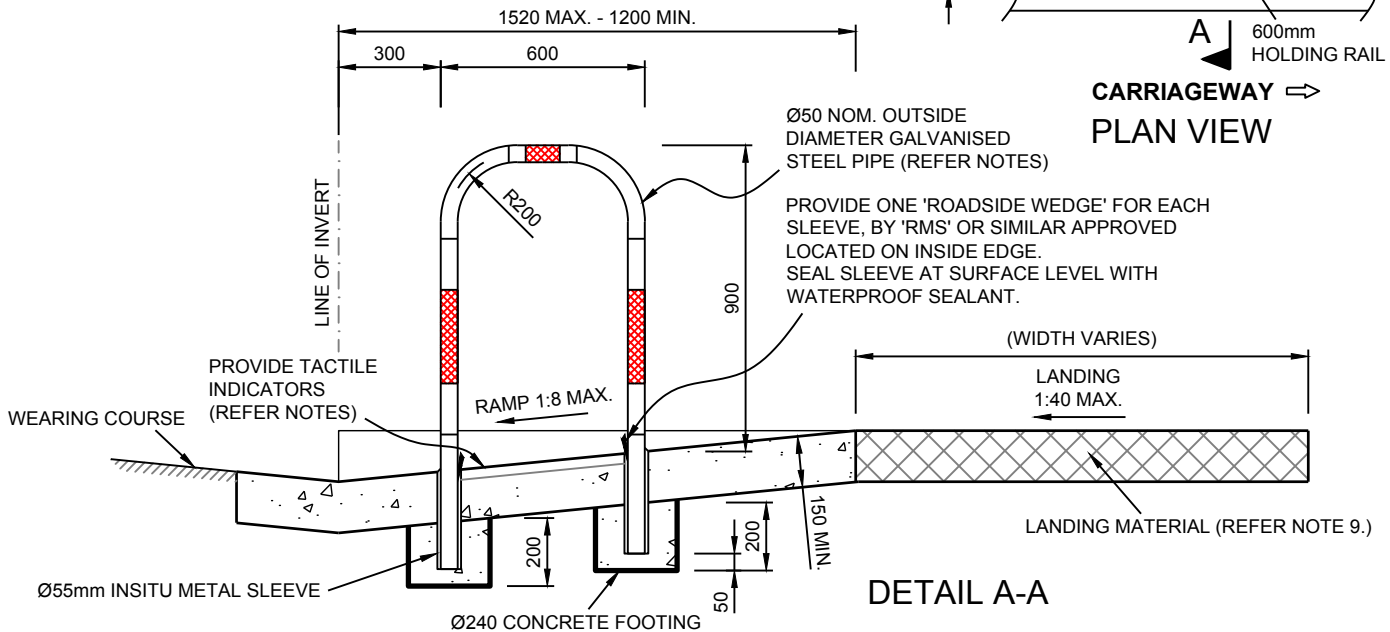
VERTICAL TAPE LAYOUT FOR HOLDING RAIL



HORIZONTAL TAPE LAYOUT FOR 600mm HOLDING RAIL



CARRIAGEWAY PLAN VIEW



DETAIL A-A

FOOTPATH HOLDING RAIL INSTALLATION (SD-325)

AT KERB RAMP FOR PEDESTRIANS
NOT TO SCALE

1. All dimensions are in millimeters unless otherwise shown.
2. It is the responsibility of the individual to ensure that they are using the current version of this drawing. Council accepts no liability for issues arising from the use of superseded drawings. Printed copies of this drawing are uncontrolled.

REV	DESCRIPTION	APPROVED	DATE	APPROVED TEAM LEADER TECHNICAL SERVICES	FOOTPATH HOLDING RAIL INSTALLATION AT KERB RAMP FOR PEDESTRIANS	CITY OF ONKAPARINGA	STANDARD # SD-325	REV C
				<i>Urris Haskas</i>				
C	REVISED DETAIL	C.HASKAS	FEB '18					
B	REVISED DETAIL & NOTES	C.HASKAS	AUG '12					
A	ORIGINAL ISSUE	P.BICKLEY	MAY '11					

SCALE AT A4
NOT TO SCALE