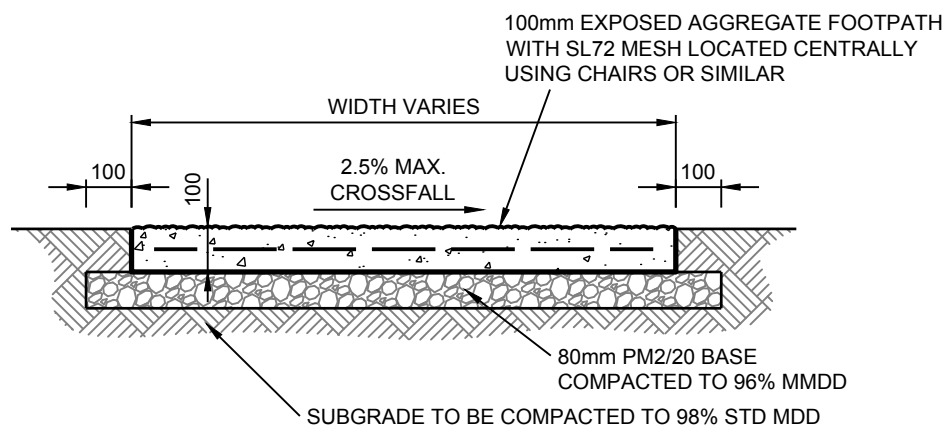




EXPOSED AGGREGATE FOOTPATH (RESIDENTIAL) NOTES:

1. FOR REQUIRED FOOTPATH WIDTHS & LOCATIONS REFER TO THE DESIGN PLANS, PROJECT SCOPE & COUNCIL'S 'FOOTPATH NETWORK ASSET MANAGEMENT PLAN'.
2. AGGREGATE SHALL BE 10mm (NOMINAL) IN SIZE.
3. THE PROPOSED COLOUR OF AGGREGATE AND CEMENT SHALL BE FORWARDED TO COUNCIL FOR APPROVAL.
4. A 'LIGHT EXPOSURE' SURFACE FINISH, TAKING APPROXIMATELY 2.0mm OFF THE TOP OF THE AGGREGATE SHALL BE USED.
5. THE EXPOSED AGGREGATE FINISH SHOULD BE OBTAINED BY STEEL TROWEL TO A SMOOTH SURFACE. AFTER FINAL SET, USE CLEAN WATER AND BRUSHES TO REMOVE THE SURFACE FILM OF MORTAR UNTIL THE AGGREGATE IS UNIFORMLY EXPOSED WITHOUT UNDERCUTTING OF THE MATRIX.
6. A PROPRIETARY CONCRETE RETARDANT SHALL BE USED IN LIEU OF SUGAR AS A CONCRETE HYDRATION RETARDANT.
7. THE FINISHED PAVEMENT SURFACE SHALL BE UNIFORM IN APPEARANCE AND FREE FROM DEPRESSIONS IN WHICH WATER CAN LIE, WITH A TEXTURE DEPTH OF 2.0-2.5mm.
8. THE CONTRACTOR SHALL TAKE ALL REASONABLE EFFORTS TO THE SATISFACTION OF COUNCIL'S REPRESENTATIVE TO PREVENT THE ENTRY OF CEMENTITIOUS MATERIALS FROM ENTERING THE UNDERGROUND DRAINAGE SYSTEM BY PLACING SAND BAGS AND/OR GEOFABRIC FILTERS AT STORMWATER ENTRY POINTS. THIS RESIDUAL MATERIAL SHALL BE REMOVED PRIOR TO RE-CEMENTATION TAKING PLACE.
9. A SAMPLE PANEL OF 1.0m x 1.0m SHALL BE PROVIDED FOR APPROVAL PRIOR TO THE COMMENCEMENT OF ANY EXPOSED AGGREGATE FOOTPATH WORK ON SITE AND SHALL BE RETAINED ON SITE FOR THE DURATION OF THE WORKS.
10. FULL DEPTH EXPANSION JOINTS TO BE PROVIDED @ 6.0m MAX. SPACING. JOINTS TO BE EITHER 20mm WIDE AND FILLED WITH BITUMEN IMPREGNATED 'CANITE' OR SIMILAR APPROVED WITH N12 DOWELS x 300 LONG, EMBEDDED 150mm INTO CONCRETE WITH END CAP @ 300c/c OR 'DANLEY'S EXPANDA JOINT' BY DANLEY SYSTEMS OR SIMILAR APPROVED, INSTALLED IN ACCORDANCE WITH THE MANUFACTURER'S SPECIFICATIONS.
11. CONCRETE STRENGTH TO BE 32MPa UNLESS NOTED OTHERWISE.
12. 100mm PM2/20 BASE TO BE USED AT DRIVEWAY CROSSOVERS AND ANY AREAS SUBJECT TO VEHICULAR LOADING.
13. FOR BACKFILLING OF DRAINAGE OR SERVICE TRENCHES BELOW FOOTPATH BASE LEVEL REFER TO SD-432 & SD-433.



EXPOSED AGGREGATE FOOTPATH (SD-307)
(RESIDENTIAL)
NOT TO SCALE

1. All dimensions are in millimeters unless otherwise shown.
2. It is the responsibility of the individual to ensure that they are using the current version of this drawing. Council accepts no liability for issues arising from the use of superseded drawings. Printed copies of this drawing are uncontrolled.

REV	DESCRIPTION	APPROVED	DATE	APPROVED TEAM LEADER TECHNICAL SERVICES	EXPOSED AGGREGATE FOOTPATH (RESIDENTIAL)		
				 SCALE AT A4 NOT TO SCALE		STANDARD #	REV
B	REVISED DETAIL & NOTES	C.HASKAS	FEB '18			SD-307	B
A	ORIGINAL ISSUE	C.HASKAS	AUG '12				