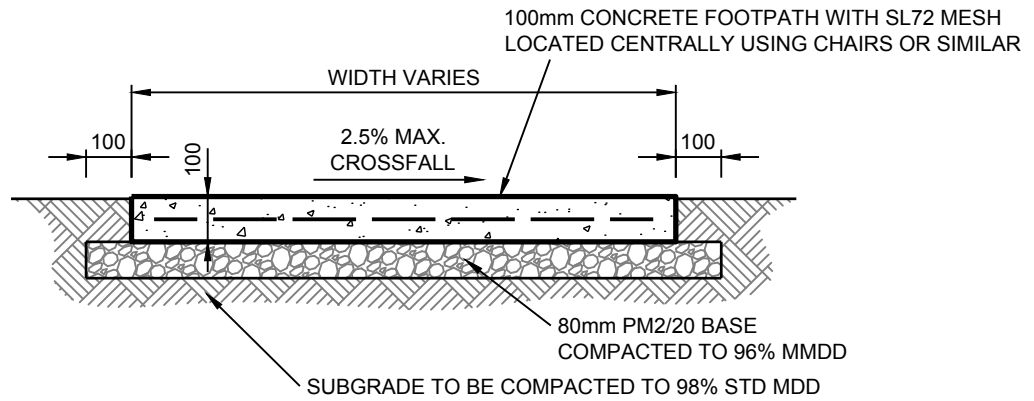




**CONCRETE FOOTPATH (RESIDENTIAL) NOTES:**

1. FOR REQUIRED FOOTPATH WIDTHS & LOCATIONS REFER TO THE DESIGN PLANS, PROJECT SCOPE & COUNCIL'S 'FOOTPATH NETWORK ASSET MANAGEMENT PLAN'.
2. ALL CONCRETE FOOTPATHS TO BE NON-SLIP (BRUSH FINISHED).
3. 'TOOLED' CONTRACTION JOINTS TO BE PROVIDED @ 1200c/c MAX. SPACING. JOINTS ARE ALSO TO BE PROVIDED AT DRIVEWAY EDGES AND BETWEEN THE FOOTPATH AND ANY ADDITIONAL CONCRETE REQUESTED.
4. FULL DEPTH EXPANSION JOINTS TO BE PROVIDED @ 6.0m MAX. SPACING. JOINTS TO BE EITHER 20mm WIDE AND FILLED WITH BITUMEN IMPREGNATED 'CANITE' OR SIMILAR APPROVED WITH N12 DOWELS x 300 LONG, EMBEDDED 150mm INTO CONCRETE WITH END CAP @ 300c/c **OR** 'DANLEY'S EXPANDA JOINT' BY DANLEY SYSTEMS OR SIMILAR APPROVED, INSTALLED IN ACCORDANCE WITH THE MANUFACTURER'S SPECIFICATIONS.
5. CONCRETE STRENGTH TO BE 25MPa UNLESS NOTED OTHERWISE.
6. 100mm PM2/20 BASE TO BE USED AT DRIVEWAY CROSSOVERS AND ANY AREAS SUBJECT TO VEHICULAR LOADING.
7. FOR BACKFILLING OF DRAINAGE OR SERVICE TRENCHES BELOW FOOTPATH BASE LEVEL REFER TO SD-432 & SD-433.



**CONCRETE FOOTPATH (SD-302)**  
(RESIDENTIAL)  
NOT TO SCALE

1. All dimensions are in millimeters unless otherwise shown.
2. It is the responsibility of the individual to ensure that they are using the current version of this drawing. Council accepts no liability for issues arising from the use of superseded drawings. Printed copies of this drawing are uncontrolled.

REV	DESCRIPTION	APPROVED	DATE	APPROVED TEAM LEADER TECHNICAL SERVICES	CONCRETE FOOTPATH (RESIDENTIAL)	
E	REVISED DETAIL & NOTES	C.HASKAS	FEB '18	 SCALE AT A4 NOT TO SCALE		STANDARD #
D	REVISED NOTES	C.HASKAS	AUG '12			SD-302
C	REVISED BATTERS & NOTES	C.HASKAS	MAY '12		REV	
B	REVISED VARIOUS NOTES	P.BICKLEY	MAY '11		E	
A	ORIGINAL ISSUE	P.BICKLEY	JUN '10			