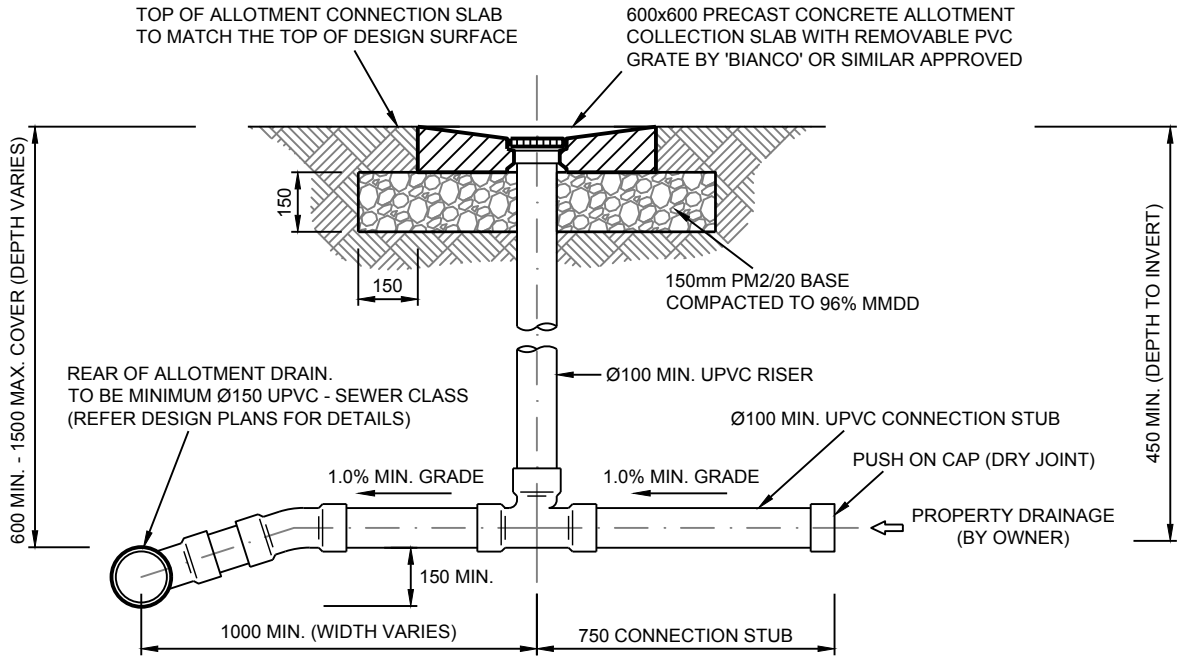
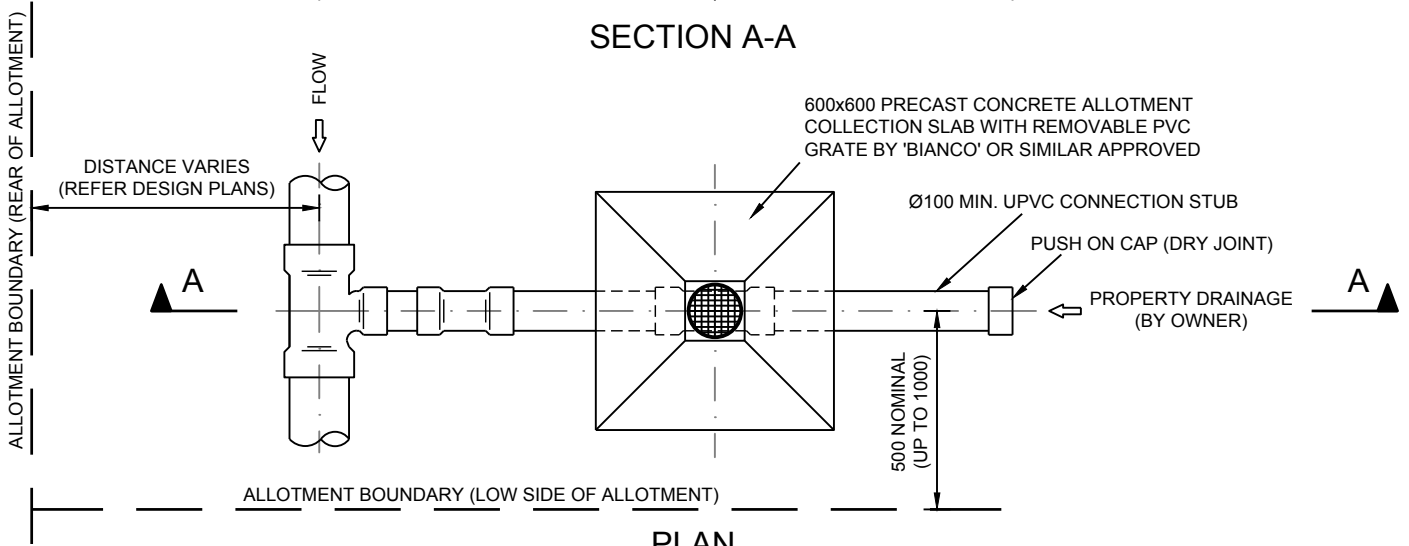


**ALLOTMENT CONNECTION (TYPE 2) NOTES:**

1. ALL ALLOTMENT CONNECTION PIPES TO BE MINIMUM Ø100 PVC-U (SEWER CLASS).
2. ALL CONNECTIONS TO COUNCIL'S STORMWATER DRAINAGE NETWORK ARE TO BE INSPECTED BY THE SUPERINTENDENT PRIOR TO BACKFILLING.
3. REAR OF ALLOTMENT DRAIN BACKFILLING TO BE IN ACCORDANCE WITH AS 3725.
4. IF THE FINISHED SURFACE LEVEL AT INSPECTION POINT IS ALTERED, THE INSPECTION POINT COVER AND SURROUND SHOULD BE AMENDED TO SUIT AND THE RISER EXTENDED TO THE NEW FINISHED SURFACE LEVEL.
5. WHERE ALLOTMENT DRAIN IS RCP OR FRCP (REFER TO SD-223) FOR CONNECTION DETAIL.



**SECTION A-A**




**PLAN**

**ALLOTMENT CONNECTION (TYPE 2) (SD-221)**

TO REAR OF ALLOTMENT DRAIN - CONCRETE ALLOTMENT COLLECTION SLAB & PVC GRATE  
NOT TO SCALE

1. All dimensions are in millimeters unless otherwise shown.
2. It is the responsibility of the individual to ensure that they are using the current version of this drawing. Council accepts no liability for issues arising from the use of superseded drawings. Printed copies of this drawing are uncontrolled.

REV	DESCRIPTION	APPROVED	DATE	APPROVED TEAM LEADER TECHNICAL SERVICES	<b>ALLOTMENT CONNECTION (TYPE 2)</b> TO REAR OF ALLOTMENT DRAIN CONCRETE ALLOTMENT COLLECTION SLAB & PVC GRATE		STANDARD #	REV
D	REVISED BASE MATERIAL & NOTES	C.HASKAS	FEB '18	<i>Urris Haskas</i>				
C	REVISED TITLE	C.HASKAS	AUG '12					
B	REVISED BASE NOTE	P.BICKLEY	MAY '11					
A	ORIGINAL ISSUE	P.BICKLEY	JUN '10					