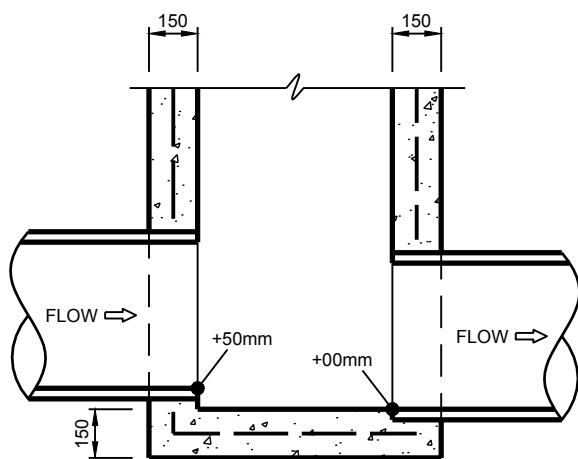
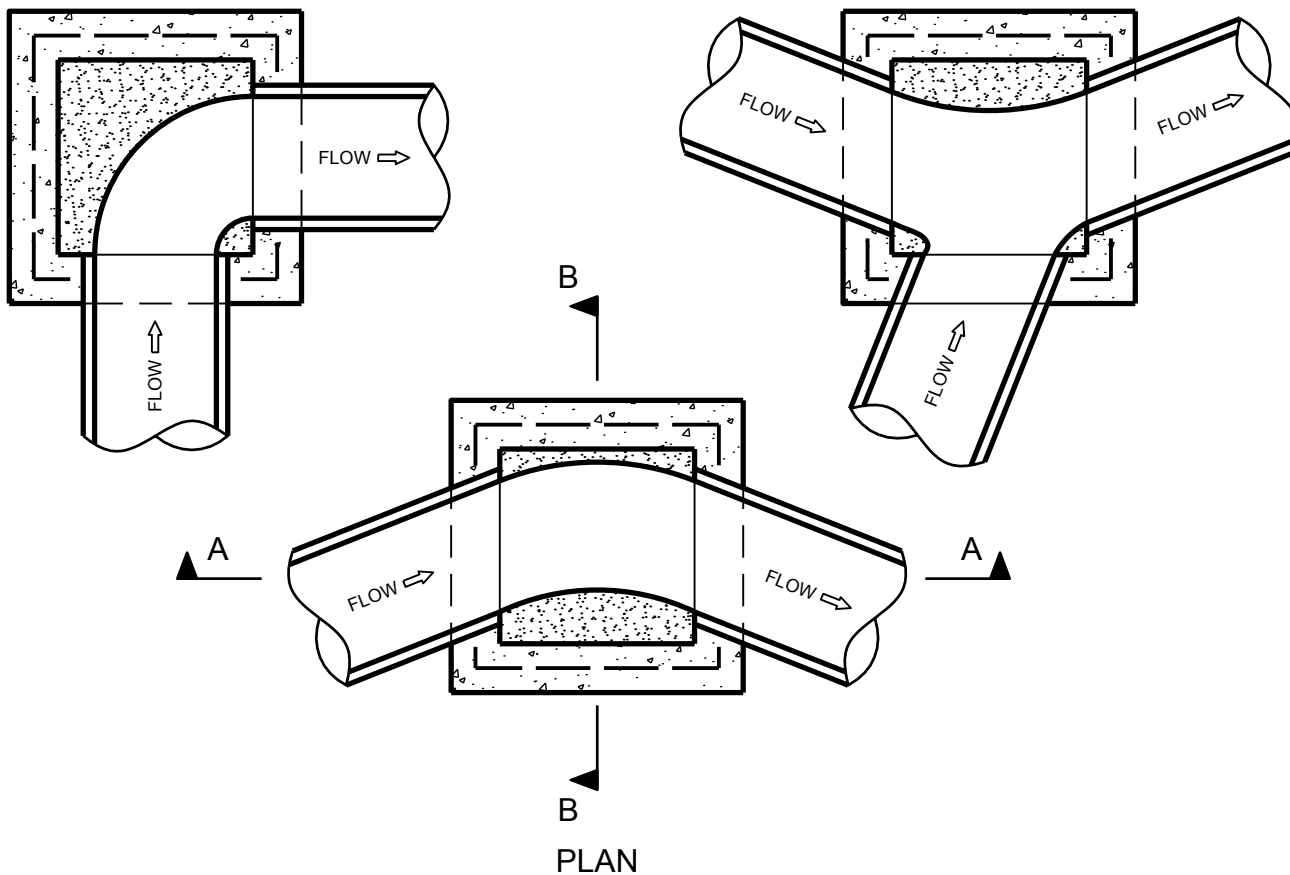
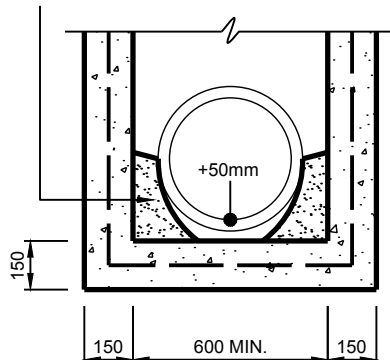


PIT BENCHING (STREAMLINING) NOTES:
 1. ALL CONCRETE BENCHING (STREAMLINING) IS TO BE 25MPa.
 2. CONCRETE BENCHING (STREAMLINING) IS TO BE PROVIDED FOR ALL DRAINAGE PITS.



SECTION A-A

MASS CONCRETE BENCHING (STREAMLINING) TO HALF PIPE DIAMETER OR MAXIMUM HEIGHT AS PRACTICAL. HAND TROWEL TO PROVIDE SMOOTH FINISH AND TRANSITION BETWEEN PIPES



SECTION B-B

PIT BENCHING (STREAMLINING) (SD-210)

TO BE USED FOR ALL DRAINAGE PITS
 NOT TO SCALE

1. All dimensions are in millimeters unless otherwise shown.
2. It is the responsibility of the individual to ensure that they are using the current version of this drawing. Council accepts no liability for issues arising from the use of superseded drawings. Printed copies of this drawing are uncontrolled.

REV	DESCRIPTION	APPROVED	DATE	APPROVED TEAM LEADER TECHNICAL SERVICES	PIT BENCHING (STREAMLINING) TO BE USED FOR ALL DRAINAGE PITS	STANDARD # SD-210	REV C
C	REVISED DETAIL & NOTES	C.HASKAS	FEB '18	 SCALE AT A4 NOT TO SCALE			
B	REVISED TITLE & NOTES	C.HASKAS	AUG '12				
A	ORIGINAL ISSUE	P.BICKLEY	JUN '10				