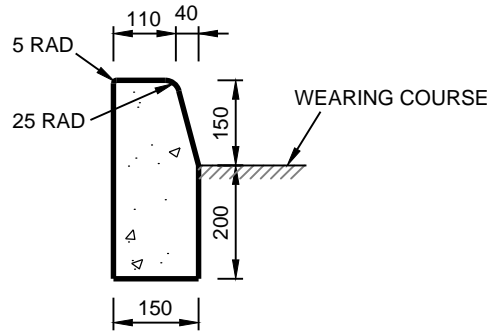


150 BARRIER KERB NOTES:

1. ALL CONCRETE KERBING MUST BE CONSTRUCTED IN ACCORDANCE WITH AS 2876.
2. CONCRETE STRENGTH TO BE 32MPa UNLESS NOTED OTHERWISE.
3. FOR INSTALLATION REQUIREMENTS, REFER TO KERB INSTALLATION DETAIL(S).



150 BARRIER KERB (SD-108)

(150 K)
NOT TO SCALE

1. All dimensions are in millimeters unless otherwise shown.
2. It is the responsibility of the individual to ensure that they are using the current version of this drawing. Council accepts no liability for issues arising from the use of superseded drawings. Printed copies of this drawing are uncontrolled.

REV	DESCRIPTION	APPROVED	DATE	APPROVED TEAM LEADER TECHNICAL SERVICES	150 BARRIER KERB (150 K)	STANDARD # SD-108	REV B
				<i>Chris Haskas</i>			
B	REVISED NOTES	C.HASKAS	AUG '12	SCALE AT A4 NOT TO SCALE			
A	ORIGINAL ISSUE	P.BICKLEY	JUN '10				