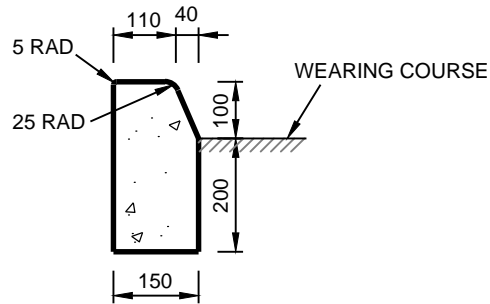


100 BARRIER KERB NOTES:

1. THIS KERB PROFILE SHALL NOT BE USED FOR NEW INFRASTRUCTURE PROJECTS. TO BE USED ONLY FOR MATCHING INTO OR REPLACEMENT OF EXISTING KERBING.
2. THIS KERB PROFILE SHALL NOT BE USED AT BUS STOP LOCATIONS.
3. ALL CONCRETE KERBING MUST BE CONSTRUCTED IN ACCORDANCE WITH AS 2876.
4. CONCRETE STRENGTH TO BE 32MPa UNLESS NOTED OTHERWISE.
5. FOR INSTALLATION REQUIREMENTS, REFER TO KERB INSTALLATION DETAIL(S).



100 BARRIER KERB (SD-107)
(100 K)
NOT TO SCALE

1. All dimensions are in millimeters unless otherwise shown.
2. It is the responsibility of the individual to ensure that they are using the current version of this drawing. Council accepts no liability for issues arising from the use of superseded drawings. Printed copies of this drawing are uncontrolled.

REV	DESCRIPTION	APPROVED	DATE	APPROVED TEAM LEADER TECHNICAL SERVICES <i>Urris Haskas</i>	100 BARRIER KERB (100 K)		STANDARD # SD-107	REV B
B	REVISED NOTES	C.HASKAS	AUG '12	SCALE AT A4 NOT TO SCALE				
A	ORIGINAL ISSUE	P.BICKLEY	JUN '10					